

Universal Flat Mount Bracket Kit SLB-0102

The Solarland® SLB-0102 Universal Flat Mount Bracket Kit has been developed to work with the Solarland® SLP Series panels, but can also be used with other brands. This simple kit provides all brackets and hardware to mount any size panel to just about any flat surface such as; ...RV's, Caravans, Boats, plus small structures such as sheds and garages.

Specifications

Mounting Type	Universal Flat Mount
Module Type	Universal, works with most panel brands and types
Number of Modules	Mounts 1 Panel
Setting Angle	Fixed
Wind Load	Designed to withstand wind speeds of 90mph
Snow Loading	1.1kN/m ²
Warranty	5 Years

Components and Parts

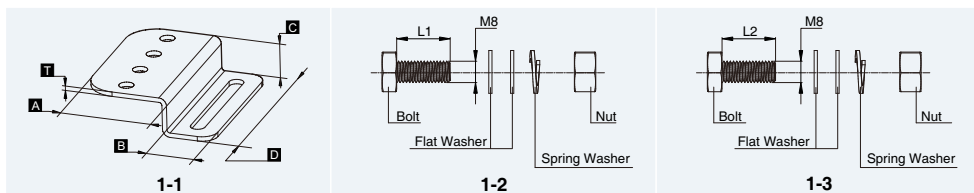
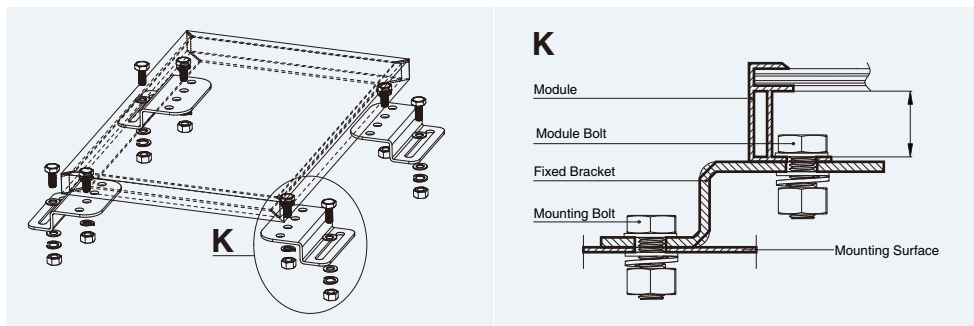


Diagram	Component	Material	Surface Treatment	Quantity	Dimensions
1-1	Fixed Bracket	5052Al	N/A	4	A=56mm[2.20in.], B=30mm[1.18in.], C=23mm[0.91in.], D=100mm[3.94in.], T=3mm[0.12in.]
1-2	Module Bolt	AISI304	N/A	4	M8X20[0.79in.]
1-3	Mounting Bolt	AISI304	N/A	4	M8X20[0.79in.]

Mounting Diagram



Note:

- When using this kit with another brand of panel you may need to change the module bolts (1-2) to suit the mounting holes on the panel.

**Universal Flat Mount Bracket Kit
SLB-0102**