

SLP120-12U

High Efficiency Multicrystalline PV Module

Electrical Characteristics	SLP120-12U
Product code	120011203C
Maximum power (Pmax)	120W
Voltage at Pmax (Vmp)	17.2V
Current at Pmax (Imp)	6.98A
Open-circuit voltage (Voc)	21.6V
Short-circuit current (Isc)	7.72A
Temperature coefficient of Voc	-(80±10)mV/°C
Temperature coefficient of Isc	(0.065±0.015)%/ °C
Temperature coefficient of power	-(0.5±0.05)%/ °C
NOCT (Air 20°C; Sun 0.8kW/m² wind 1m/s)	47±2°C
Operating temperature	-40°C to 85°C
Maximum system voltage	1000V DC
Power tolerance	± 5%

*STC: Irradiance 1000W/m², AM1.5 spectrum, module temperature 25°C

*NOCT:Nominal operating cell temperature (the data is only for reference)

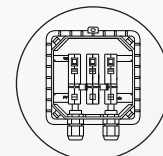
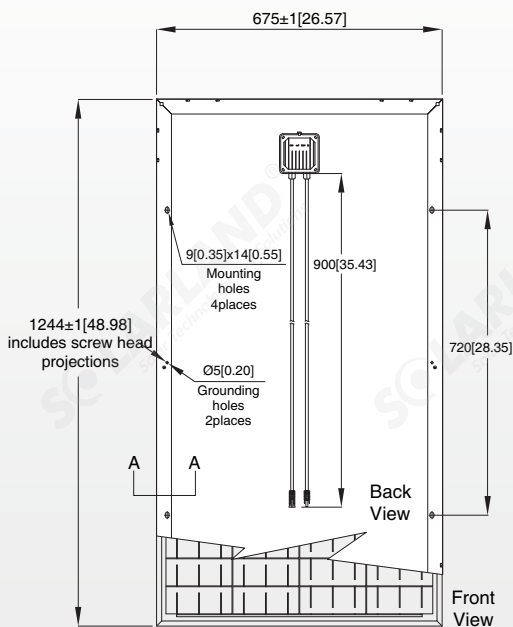


Module Diagram

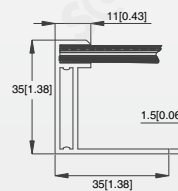
Dimensions in brackets are in inches.

Un-bracketed dimensions are in millimeters.

Unit: mm[in.]



Junction Box
Top View(Lid Open)

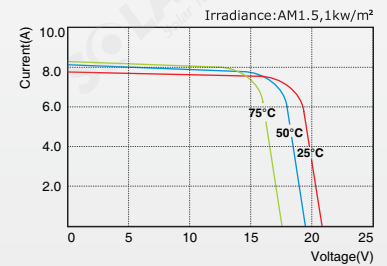


Section A-A

Features

- Nominal 12V DC for standard output.
- Outstanding low-light performance.
- Heavy-duty anodized frames.
- High transparent low-iron,tempered glass.
- Rugged design to withstand high wind pressure, hail and snow load.
- Aesthetic appearance.

Characteristics



SLP120-12U I-V Curves

Specifications

SLP120-12U

Cells	Polycrystalline silicon solar cell
No. of cells and connections	72(4X18)
Module dimension	1244mm[48.98in.],x675mm[26.57in.],x35mm[1.38in.]
Weight	11.0kg[24.25lbs]
Packing information(Carton)	1290mm[50.79in.],x720mm[28.35in.],x70mm[2.76in.]/(1pc/ctn)

*Limited warranty: 5-year limited warranty of materials and workmanship; 10-year limited warranty of 90% power output; 25-year limited warranty of 80% power output. For detail, please contact us.

*Specifications are subject to change without notice at any time.